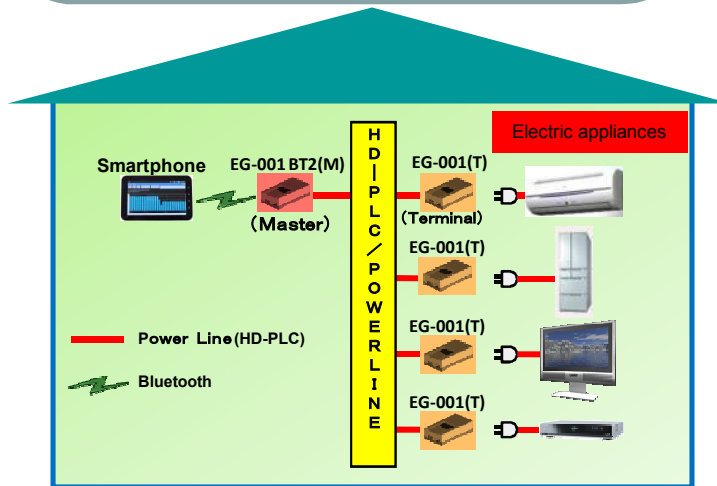
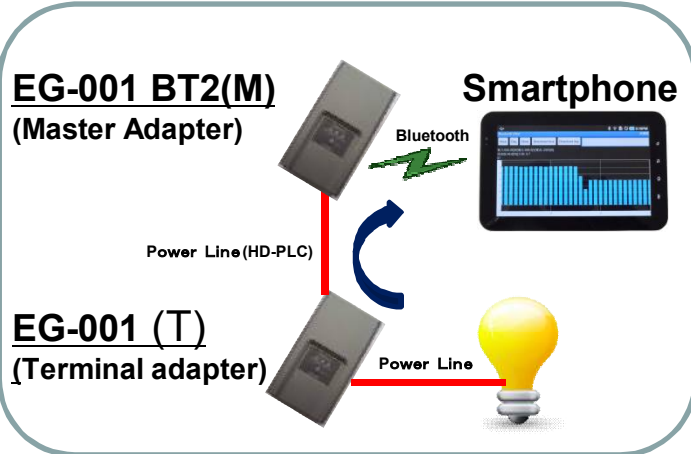


Power-meter-system over PLC Transmission with Smartphone (Technical Sample)

Contact Information : Egretcom Co., Ltd (<http://www.egretcom.com>)

EG-001 & Smartphone System



— Use in cases of home —

1 Automatic measuring system for the equipment power consumption

- High trust data collection using HD-PLC (effective power / power factor / watt-hour etc.)

2 Existing home / office / factory power lines as it is available

3 Simple operation for easy expansion

- Simultaneously pressing the Settings button
- High security encryption system adopted AES128bit

4 Power consumption can be monitored easily display with Smartphone



EG-001 BT2(M)

